

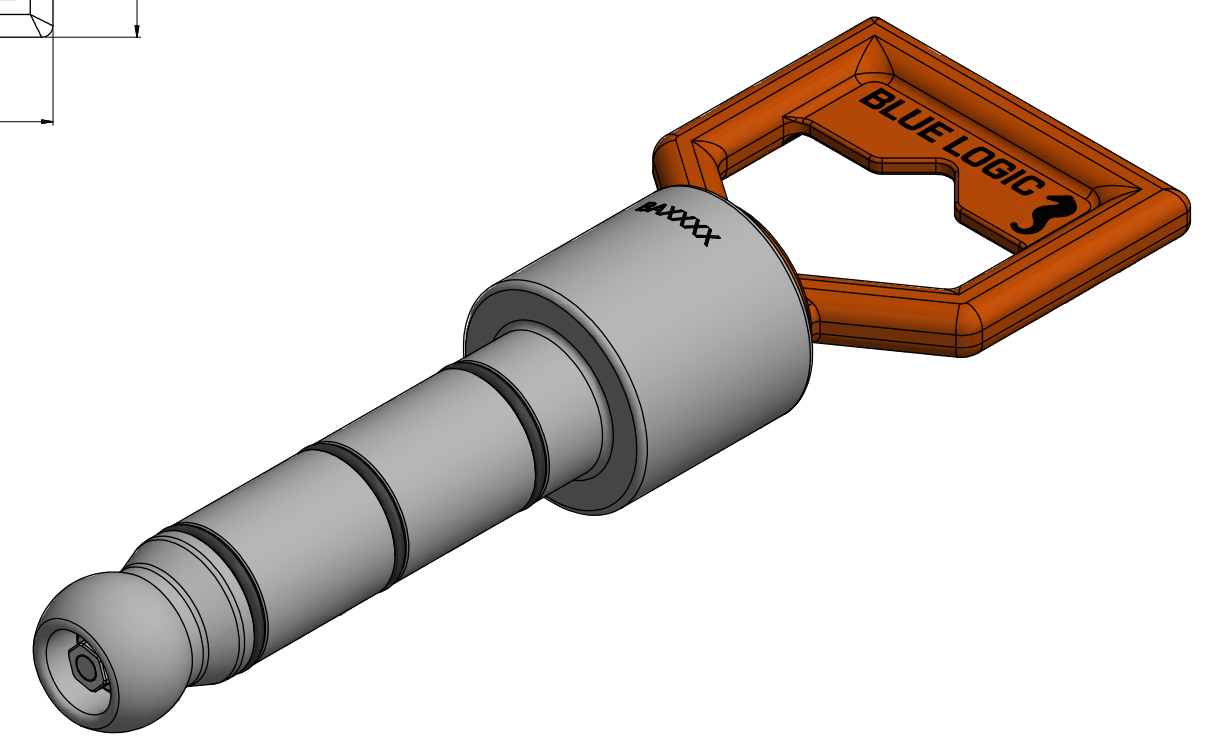
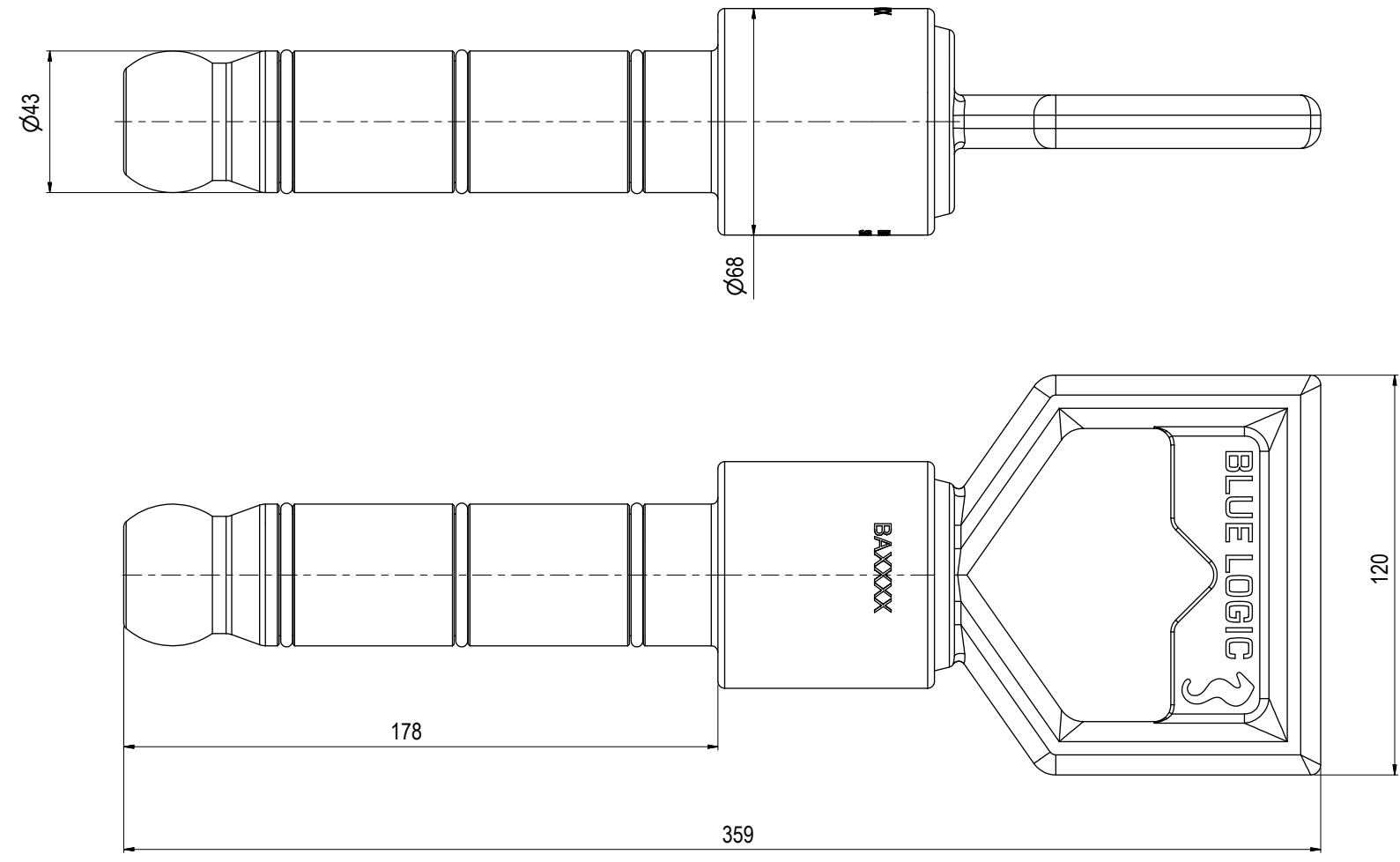
NOTE: 1  
 DESIGN CODE:  
 API 17H Type 1

NOTE: 2  
 TECHNICAL CLASSIFICATION:  
 Article Type: 001-Hot Stabs  
 Main Group: 1.03. Ø43 Hot Stab  
 Intermediate Group: 1.2.03. Protection  
 Sub Group: 1.2.7.02. Dual

NOTE: 3  
 INTERFACE INFORMATION:  
 Pressure Rating Bar: 10  
 Material: Long-term  
 Weight: 1,6 kg  
 Volume: 0,56 dm<sup>3</sup>  
 Surface Area: 1055 cm<sup>2</sup>  
 Hydraulic: N/A  
 Mechanical: N/A  
 Electrical: N/A  
 Com. & Protocol: N/A

NOTE: 4  
 SPAREPARTS:  
 BA5288

NOTE: 5  
 Optional Ø4 Vent Holes Ref. dwg. BA3477



Rev.	Date	Reason for issue	Revision change	Made	Chk'd	Appr.
03	27.8.2021	9-IFU (Issued for Use)		WTJ	HNJ	WTJ
02	30.4.2014	9-IFU (Issued for Use)		WTJ	HNJ	WTJ
01	21.6.2013	7-IFC (Issued for Construction)		AAF	HNJ	AAF



Dwg Scale:  
 NTS  
 Dwg Proj:  
 Dwg Format:  
 A3

Drawing title:  
 Ø43 DP Prot Stab 10Bar Long-term

Drawing number:  
 BA3740

Rev.  
 03